

## Diamond Wall Pack



- Wattage: 40W, 80W, and 100W
- Long life: Rated life of 100,000 hours
- High index, CRI: 85; Makes colors look more true and vibrant
- Vibration resistant: Electrodeless design allows for use in high vibration applications
- Instant on and Instant re-strike
- 480V options available
- Applications: Commercial building and warehouses

### Housing

- Rugged die-cast aluminum housing
- Electrostatic powder-coated surface for corrosion-resistance and long life
- Prismatic glass lens for superior lighting performance
- Anodized aluminum reflector for optimal light distribution
- Gas tight silicon rubber seals
- Protection class: IP54 (Dust and splashed water)

### Specification

#### Induction Lamp

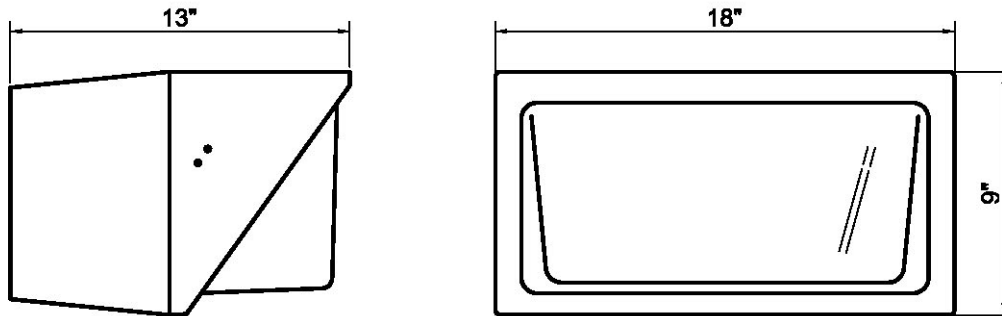
Wattage (W)	Luminance (LM)	CRI	Color temperature (Kelvin)	Rated life (Hours)
40	3,400	85	5,000	100,000
80	6,800	85	5,000	100,000
100	8,500	85	5,000	100,000

#### Driver

Wattage (W)	Input voltage range(VAC)	Input current (A)	Input frequency	Power factor	Operating temp	Input power (W)
40	120-277	0.38-0.17	50-60Hz	0.98	-30 to 122°F	45
80	120-277	0.74-0.32	50-60Hz	0.98	-30 to 122°F	88
100	120-277	0.93-0.40	50-60Hz	0.98	-30 to 122°F	110

## Diamond Wall Pack

### Dimensions



### Ordering Guide

Reference	Description
DI-120/277V-040W-5K-00	Diamond Wall Pack, 120/277 Volt, 40 Watt, 5000K, Grey
DI-120/277V-080W-5K-00	Diamond Wall Pack, 120/277 Volt, 80 Watt, 5000K, Grey
DI-120/277V-100W-5K-00	Diamond Wall Pack, 120/277 Volt, 100 Watt, 5000K, Grey

### Options

Reference	Description
Call for details	Motion Sensor
Call for details	Photo Control
Call for details	480V Step Down Transformer