

Endura DX Canopy



- Wattage: 40W, 80W and 100W
- Long life: Rated life of 100,000 hours
- High index, CRI: 85; Makes colors look more true and vibrant
- Vibration resistant: Electrodeless design is perfect for multi-level parking structures
- Instant on and Instant re-strike
- Applications: Parking Garages and walkways

Housing

- Rugged die-cast aluminum housing
- Electrostatic powder-coated surface for corrosion-resistance and long life
- UV-proof heat-resistant polycarbonate lens won't turn yellow
- Anodized aluminum reflector for optimal light distribution
- Protection class: IP43 (solid bodies diameter 1mm and rainfall)
- EZ universal mounting bracket

Specification

Induction Lamp

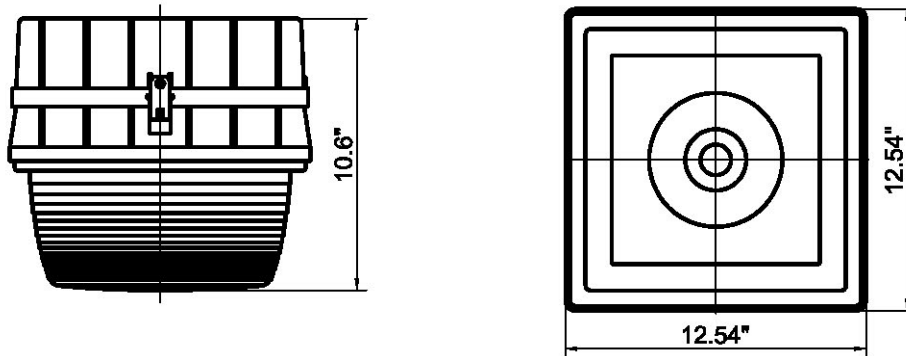
Wattage (W)	Luminance (LM)	CRI	Color temperature (Kelvin)	Rated life (Hours)
40	3,400	85	5,000	100,000
80	6,800	85	5,000	100,000
100	8,500	85	5,000	100,000

Driver

Wattage (W)	Input voltage range(VAC)	Input current (A)	Input frequency	Power factor	Operating temp	Input power (W)
40	120-277	0.38-0.17	50-60Hz	0.98	-30 to 122°F	45
80	120-277	0.74-0.32	50-60Hz	0.98	-30 to 122°F	88
100	120-277	0.93-0.40	50-60Hz	0.98	-30 to 122°F	110

Endura DX Canopy

Dimensions



Ordering Guide

Reference	Description
EN-120/277V-040W-5K-00	Endura DX Garage Light, 120-277 Volt, 40 Watt, 5000K, Grey
EN-120/277V-080W-5K-00	Endura DX Garage Light, 120-277 Volt, 80 Watt, 5000K, Grey
EN-120/277V-100W-5K-00	Endura DX Garage Light, 120-277 Volt, 100 Watt, 5000K, Grey

Options

Reference	Description
Call for details	Motion Sensor
Call for details	Photo Control
Call for details	Pipe Mount