

Tiffany Highbay



- Wattage: 300W
- Long life: Rated life of 100,000 hours
- High index, CRI: 85; Makes colors look more true and vibrant
- Vibration resistant: Electrodeless design allows for use in high vibration applications
- Instant on and Instant re-strike
- Applications: Warehouse, Retail, Show Rooms, Repair Facilities

Housing

- Rugged die-cast aluminum control gear
- Electrostatic powder-coated surface for corrosion-resistance and long life
- Faceted 30" aluminum reflector
- Optional lens options available
- Gas tight silicon rubber seals
- EZ hook for quick installation
- Protection class: IP43 (Solid bodies diameter 1mm and rainfall)

Specification

Induction Lamp

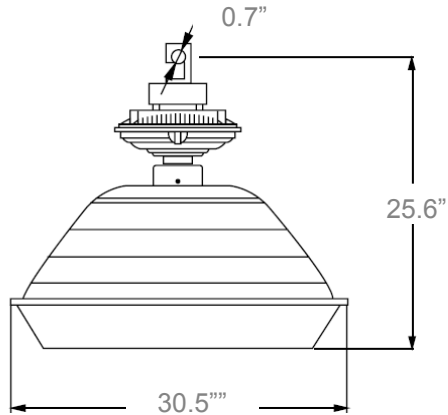
Wattage (W)	Luminance (LM)	CRI	Color temperature (Kelvin)	Rated life (Hours)
300	25,500	85	5,000	100,000

Driver

Wattage (W)	Input voltage range(VAC)	Input current (A)	Input frequency	Power factor	Operating temp	Input power (W)
300	120-277	2.65-1.15	50/60Hz	0.98	-30 to 122°F	315

Tiffany Highbay

Dimensions



Ordering Guide

Reference	Description
TI-120/277V-300W-5K-AL30-00	Tiffany Highbay, 120-277 Volt, 300 Watt, 5000K, Aluminum 30"

Options

Reference	Description
Call for details	Motion Sensor
Call for details	Photo Control
Call for details	Prismatic Lens Cover